

# HBL2313SW -- Twist-Lock Watertight Safety-Shroud Connector Body



2P3W, 20A 125V, L5-20R, Black & White Thermoplastic Polyester

## Product Specifications

### Product Type



<b>Product Item</b>	Connector Body
<b>Wiring Scheme</b>	2 Pole, 3 Wire Grounding
<b>Amperage</b>	20A
<b>Voltage</b>	125V AC
<b>NEMA Configuration</b>	L5-20R
<b>Item Style</b>	Shrouded Watertight
<b>Device Color</b>	Black/White
<b>Cord Dia.</b>	.360"-.930" (9-24)
<b>Terminal Retainer Material</b>	Clear polycarbonate
<b>Housing Material</b>	Impact modified PBT
<b>Cord Clamp Material</b>	White Valox

<b>Terminal Clamp Material</b>	.08" (2) steel-nickel plated
<b>Terminal Screw Material</b>	#10-32 Brass (white finish on neutral screw when used) Multi-drive
<b>Ground Screw Material</b>	#10-32 Brass (green finish) Multi-drive
<b>Cord Clamp Screw Material</b>	Stainless steel, Multi-drive
<b>Body Holding Screw Material</b>	Stainless steel, Multi-drive
<b>Body Contact Carrier Material</b>	Natural White Nylon
<b>Contact Spring Material</b>	Brass
<b>Spring Binding Plate Material</b>	Brass
<b>Ground Contact Material</b>	.031" (.8) Brass
<b>Ratings</b>	Molded into face
<b>Catalog No.</b>	Permanently ink marked on product
<b>Dielectric Voltage Withstand</b>	2,000V minimum
<b>Current Interrupting</b>	Certified for current interrupting at full rated current.
<b>Temperature Rise</b>	Max 30 C temperature rise at full rated current after 50 cycles of overload at 150% of rated current at a power factor of .75.
<b>Cord Accommodation</b>	Round portable service cords of diameters commensurate with the device rating as defined in UL Standard 62, CSA C22.2 No. 49.
<b>Terminal Accommodation</b>	20A #12 AWG
<b>Terminal Identification</b>	Terminals identified in accordance with UL 498 (X, Y, Z, White, Green)
<b>Flammability</b>	VO per UL94 or CSA 22.2 No. 0.6
<b>Operating Temperatures</b>	Maximum Continuous 75 C Minimum -40 C (w/o impact)
<b>Moisture Resistance</b>	Type 4, 4X, 12, IP66 suitability
<b>Closure Cap and Strap Material</b>	Polypropylene with Neoprene gasket
<b>Listings</b>	FED SPEC UL/CSA
<b>Feature Info</b>	Black Valox housing, White Valox clamps.
<b>M Drawings</b>	<a href="#">Click here for M-Drawing</a>
<b>Catalog Page</b>	<a href="#">Click here for catalog page B23</a>
<b>Brochures</b>	<a href="#">Click here for product brochure</a>
<b>Hubbellnet</b>	<a href="#">Click here for Hubbellnet</a>
<b>Catalog Section</b>	<a href="#">Click here for Section-B</a>
<b>UPC Number</b>	78358523104
<b>Weight in LBs</b>	0.6

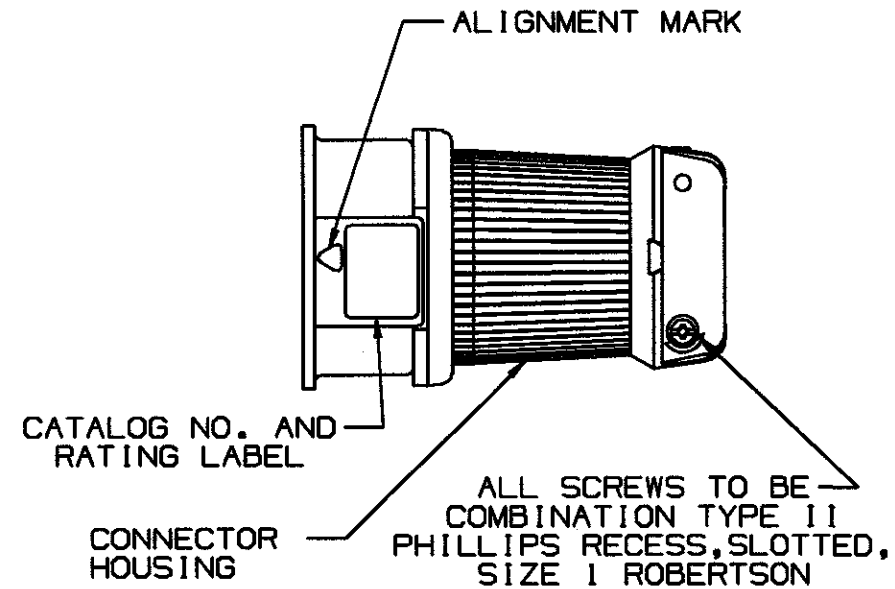
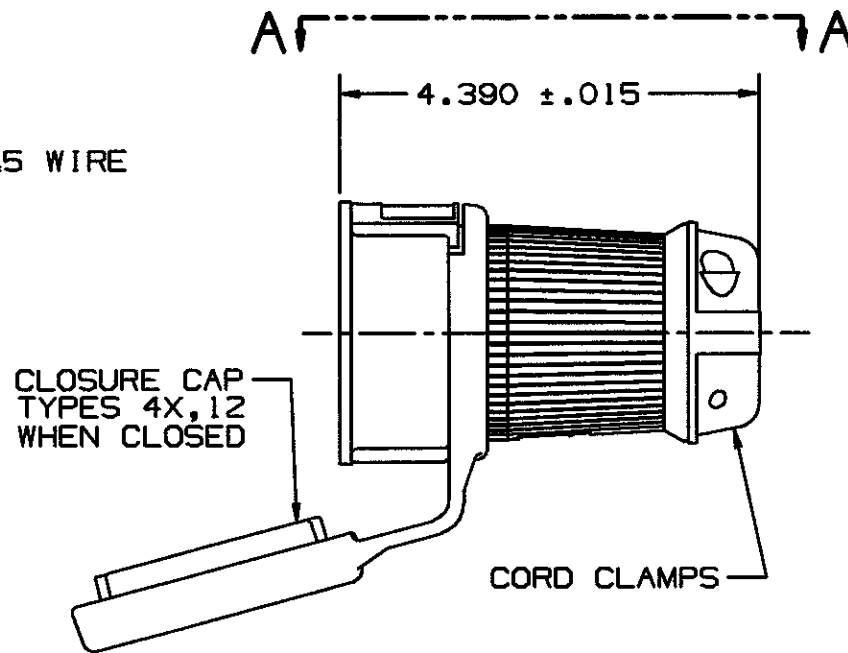
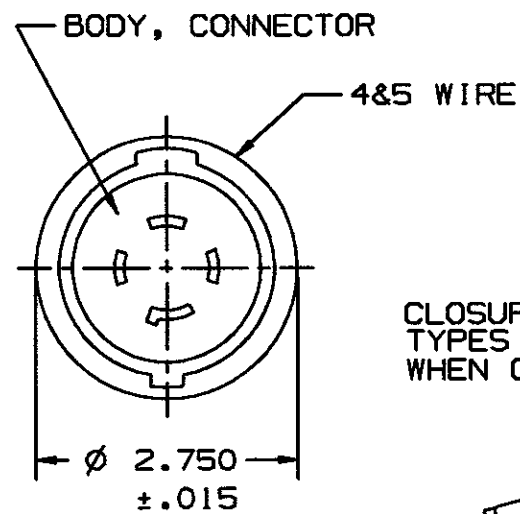
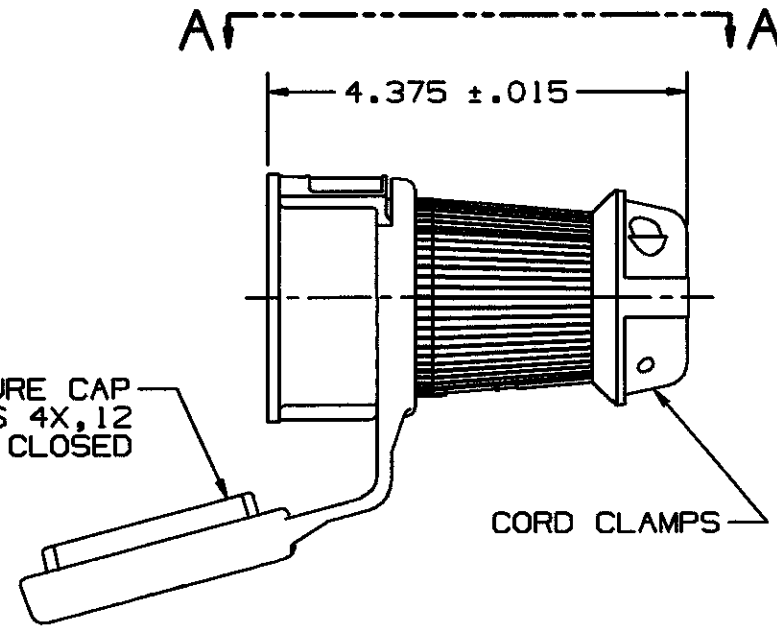
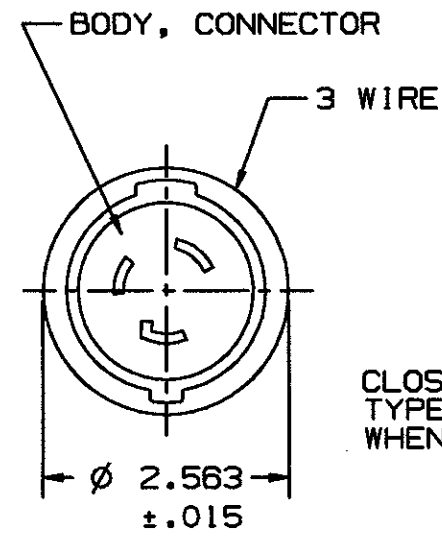


NEMA L5-20R  
**20A 125V**  
UL/CSA  
1 HP

NEMA  
Configuration



# M-7319 4



VIEW A-A

	CONNECTOR <sup>1</sup>	CONFIGURATION RATING	MATING 2 PLUG	MATING 2 INLET	MATING NEMA PLUG <sup>3</sup>		IEC COLOR CODE
	CATALOG #		CATALOG #	CATALOG #	NEMA #	HUBBELL #	
3 WIRE	HBL2313SW	20A 125V	HBL2311SW	HBL2315SW	L5-20P	2311	YELLOW
	HBL2323SW	20A 250V	HBL2321SW	HBL2325SW	L6-20P	2321	BLUE
	HBL2333SW	20A 277VAC	HBL2331SW	HBL2335SW	L7-20P	2331	GRAY
4 WIRE	HBL2413SW	20A 125/250V	HBL2411SW	HBL2415SW	L14-20P	2411	ORANGE
	HBL2423SW	20A 250V 3Ø	HBL2421SW	HBL2425SW	L15-20P	2421	BLUE
	HBL2433SW	20A 480V 3Ø	HBL2431SW	HBL2435SW	L16-20P	2431	RED
5 WIRE	HBL2513SW	20A 120/208V 3ØY	HBL2511SW	HBL2515SW	L21-20P	2511	BLUE
	HBL2613SW	30A 125V	HBL2611SW	HBL2615SW	L5-30P	2611	YELLOW
3 WIRE	HBL2623SW	30A 250V	HBL2621SW	HBL2625SW	L6-30P	2621	BLUE
	HBL2713SW	30A 125/250V	HBL2711SW	HBL2715SW	L14-30P	2711	ORANGE
4 WIRE	HBL2723SW	30A 250V 3Ø	HBL2721SW	HBL2725SW	L15-30P	2721	BLUE
	HBL2733SW	30A 480V 3Ø	HBL2731SW	HBL2735SW	L16-30P	2731	RED
	HBL2743SW	30A 600V 3Ø	HBL2741SW	HBL2745SW	L17-30P	2741	BLACK
5 WIRE	HBL2813SW	30A 120/208V 3ØY	HBL2811SW	HBL2815SW	L21-30P	2811	BLUE

<sup>1</sup>DOES NOT MATE WITH NEMA INLETS    <sup>2</sup>TYPES 4, 4X, 12 WHEN CONNECTED    <sup>3</sup>TYPE I WHEN CONNECTED

U.L. LISTED, C.S.A. CERTIFIED

CODE 74545

## LIST OF PARTS

DESCRIPTION	MATERIAL	FINISH
CONN HOUSING	PBTP	
CORD CLAMPS	PBTP	
SEALS	CBR	
CLOSURE CAP	CBR	
BODY, CONN	PA 66	
SCREWS	302 SS	

4	CONVERTED DIMS TO 3 PL DECIMAL AND ADDED TOL PER DCN #7772. AMZ	DB	8/18/00
3	REVISED VIEW TO SHOW TRI-DRIVE SCREW; REVISED SCREW CALLOUT NOTE TO INCLUDE ROBERTSON PER DCN 7553 RCM	DB	5/8/00
2	RELEASED FOR PRODUCTION; ADDED SCREW TYPE CALL-OUT; ADDED "CATALOG NO. AND" TO "RATING LABEL"; APPENDED TABLE PER DCN #3089. JMN	JCA	11/2/94
1	RELEASED 2776-8	JCA	10/11/94
SYM	REVISIONS	APP	DATE

THE DESIGN AND DIMENSIONS OF THE PRODUCT SHOWN ON THIS DRAWING ARE SUBJECT TO CHANGE WITHOUT NOTICE

TITLE SAFETY-SHROUD™  
TWIST-LOCK®  
CONNECTORS

TOLERANCES UNLESS OTHERWISE SPECIFIED  
FRACTIONS ±1/64  
DECIMALS ±.005  
ANGLES ±2°

WIRING DEVICE-KELLEMS  
HUBBELL INCORPORATED  
BRIDGEPORT, CT

DR. BY EEM	APP. BY JCA
TR. BY	SCALE 1/2
CHK'D BY JCA	DATE 10/5/94

DIMENSION SHEET FOR CAT. NO.

REPAIRABLE  NON-REPAIRABLE

B M-7319

4

# TWIST-LOCK® Devices

## 2 Pole, 3 Wire Grounding

20 Ampere, 125, 250 Volts and 277 Volts AC

### Watertight Safety-Shroud TWIST-LOCK® System



UL Listed, CSA  
Certified to Type  
4, 4X, & 12

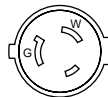
IP66  
SUITABILITY



NEMA L5-20R  
20A 125V  
UL/CSA  
1 HP



NEMA L6-20R  
20A 250V  
UL/CSA  
2 HP\*

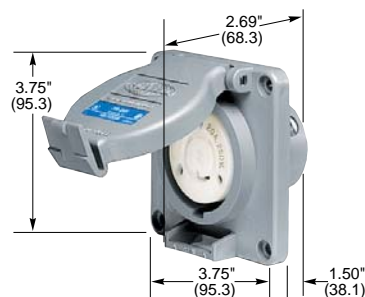


NEMA L7-20R  
20A 277V AC  
UL/CSA  
2 HP

### Watertight Safety-Shroud Receptacles, Back Wired

Description	Catalog Numbers		
Gray Valox® housing & flange.	<b>HBL2310SW</b>	<b>HBL2320SW</b>	<b>HBL2330SW</b>

Note: Receptacles only fit boxes listed on Page B-72.



**HBL2320SW**

### Watertight Safety-Shroud Connector Bodies

Description	Catalog Numbers		
Black Valox housing, White Valox clamps.	<b>HBL2313SW</b>	<b>HBL2323SW</b>	<b>HBL2333SW</b>



NEMA L5-20P  
20A 125V  
UL/CSA  
1 HP



NEMA L6-20P\*  
20A 250V  
UL/CSA  
2 HP\*



NEMA L7-20P  
20A 277V AC  
UL/CSA  
2 HP

### Watertight Safety-Shroud Plugs

Description	Catalog Numbers		
Black Valox housing, White Valox clamps.	<b>HBL2311SW</b>	<b>HBL2321SW</b>	<b>HBL2331SW</b>



**HBL2323SW**



**HBL2321SW**

### Watertight Safety-Shroud Flanged Inlets

Description	Catalog Numbers		
Gray Valox housing and flange.	<b>HBL2315SW</b>	<b>HBL2325SW</b>	<b>HBL2335SW</b>

Notes: Only receptacles and plugs 480V AC or less are HP rated.

\*Also suitable for 208V.

HP ratings are AC only.

Cord grip range for plugs and connector bodies

.300"-.930" (9-24), #16-3 Type SJ to #8-3 Type S, SO.

For technical information see page B-84.

### CIRCUIT-LOCK® Unfused Safety-Shroud Mechanical Interlock for Twist-Lock® Receptacles

Description	Catalog Number
Mechanical Interlock accommodates 20A and 30A watertight safety-shroud receptacles.	<b>HBLMITL**</b>

Note: \*\*Not shown, see pages B-64 and B-65 for details.



**HBL2325SW**

®Valox is a registered trademark of General Electric Company.

